

Ending wall elbow left / right

- ⦿ Designed for connecting dispenser pipe fittings to parallel pipes.
- ⦿ When installing a tee with tap connector for several dispenser fittings in a row (see Fig. 1), close the last draw off point with a left/right ending wall elbow (see Fig. 2).

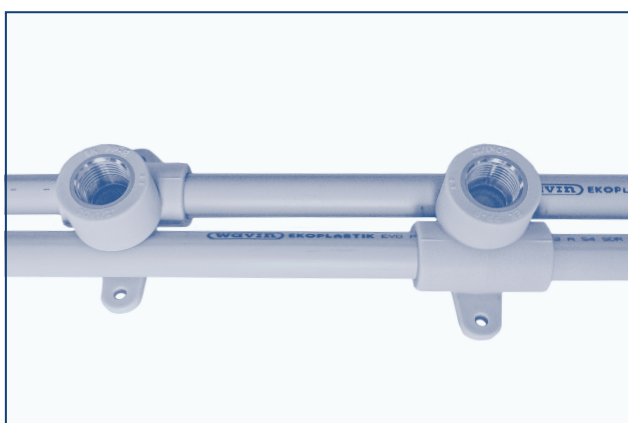


Fig. 1: Installing a tee with tap connector

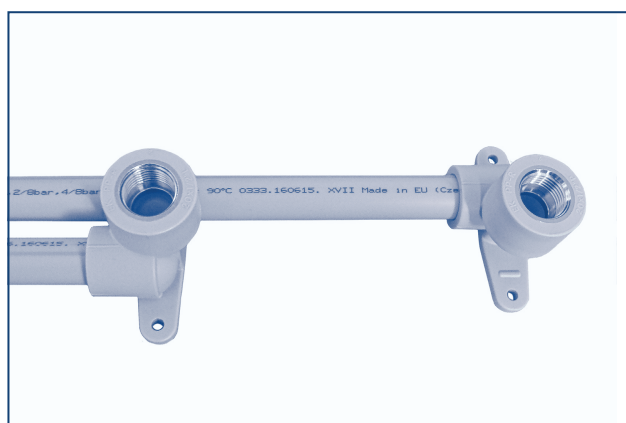

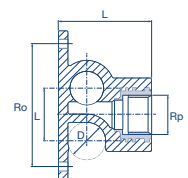



Fig. 2: Installing an ending wall elbow

Basic parameters:

Ending wall elbows	D [mm]	A [mm]	Rp	B [mm]	Ro [mm]	L [mm]	Package [pc]		Weight [kg/pc]	Code
							I	II		
 <p>left</p>	20	14.5	1/2"	50.0	66.0	28.5	5	25	0.066	SNK020KLXX
										
 <p>right</p>	20	14.5	1/2"	50.0	66.0	28.5	5	25	0.066	SNK020KPXX
	